

HDB302-VP

Vandal-Resistant Video Doorbell

EYESONIC™



- Standard PoE
- 2 MP HD Camera
- Noise Suppression and Echo Cancellation
- Low Illumination
- IP65, IK09 Impact Protection Rating
- Standard PoE
- Configure Remotely via Web

HDB302-VP

System Parameters

Operating System	Embedded Linux operation system
Flash	32 MB
RAM	256 MB

Video Parameters

Camera	2 MP HD camera
Night Vision	Low illumination IR supplement mode: 3 m
WDR	True WDR
Field of View	Horizontal: 88° Vertical: 45° Diagonal: 106°
Video Compression Standard	H.264
Stream	Main stream: 1080p @ 30 fps, 720p @ 30 fps Sub stream: D1

Resolution	Main stream: 1920 × 1080p, 720p Sub stream: 704 × 576
------------	--

Motion Detection	Supported
Anti-Flicker	50 Hz, 60 Hz
Frequency	

Audio Parameters

Audio Intercom	Two-way audio communication
Audio Input	Built-in omnidirectional microphone
Audio Output	Built-in loudspeaker
Audio Compression Standard	G.711 U
Audio Compression Rate	64 Kbps

Audio Quality	Noise suppression and echo cancellation
---------------	---

Network Parameters

Wired Network	PoE, 10/100 Mbps self-adapted
Network Protocol	TCP/IP, RSTP

Access Control Parameters

Relay	1
-------	---

Interfaces

Debugging Port	1
Alarm Input	1
Grounding	1

General

Protection Level	IP65, IK09
Button	1
Power Supply	IEEE802.3af, standard PoE 12 VDC
Power Consumption	<10 W
Working Temperature	-30° to +50° C (-22° to 122° F)
Working Humidity	10% to 90% (non-condensing)
Heat Module	Supported
Installation	Surface mounting (recommended installation height: 47" to 55")
Dimensions	161.85 mm × 74.13 mm × 53.2 mm (6.372" × 2.919" × 2.094")

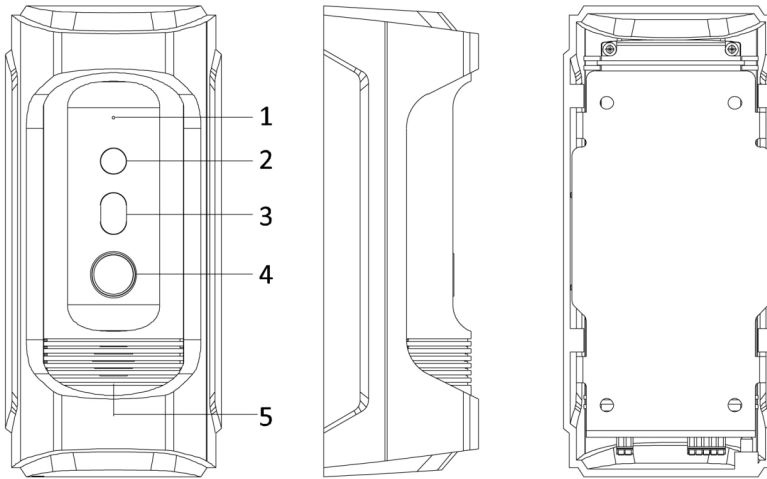
www.eyesonic.com

HDB302-VP

Vandal-Resistant Video Doorbell



Appearance and Interfaces



No.	Description	No.	Description
1	Microphone	4	Call Button
2	Built-in Camera	5	Loudspeaker
3	Low Illumination Supplement Light		

Dimensions

